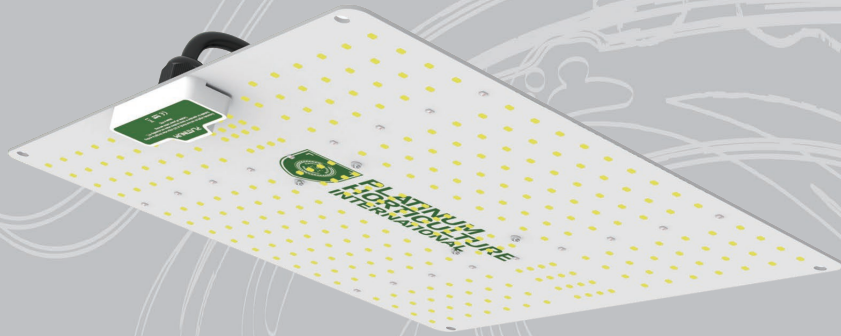


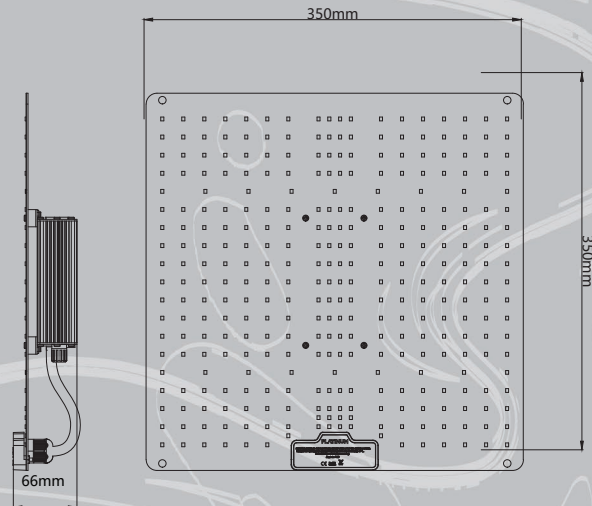
# 120W | Quantum Board

## TECHNICAL SPECS

<b>Max.Power:</b>	PLANTINUM Quantum Board 120W±3%
<b>Nominal Voltage:</b>	200V-277V
<b>Nominal Current:</b>	0.42A-0.6A
<b>Power Factor:</b>	>0.95 @120W
<b>Input Frequency:</b>	50-60Hz
<b>Plug Type:</b>	EU E & F
<b>Efficacy:</b>	2.5umol/J
<b>Output:</b>	300PPF
<b>Photon flux:</b>	13308 lm
<b>Color Temperature:</b>	3400K
<b>Length:</b>	350mm
<b>Width:</b>	350mm
<b>Height:</b>	66mm
<b>Weight:</b>	2.7kg
<b>IP Protection:</b>	IP65
<b>Diodes:</b>	Samsung LM281B +
<b>Diodes quantity:</b>	324pcs
<b>Beam Angle:</b>	180°
<b>Dimming:</b>	20% 40% 60% 80% 100%
<b>Waterproof Rating:</b>	IP65
<b>Temp. Range:</b>	~30°C to 30°C
<b>Operation Humidity:</b>	10% to 95% rh
<b>Certifications:</b>	CE RoHS
<b>Warranty Time:</b>	3years



## FIXTURE DIMENSIONS



## Truly Full Spectrum for the Full Plant Lifecycle



**Warm White LED**  
promotes plant germination.



**Cold White LED**  
Boosts Plant Flowering

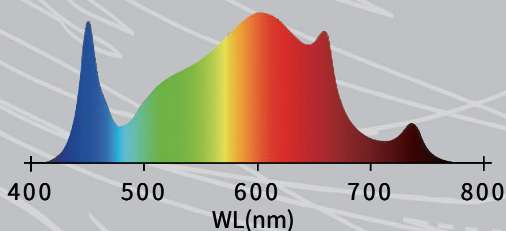


**RED LED**  
Promotes Plant Flower



**FAR RED**  
IR730NM Flower+

## Full-spectrum



## Maximize plant growth and quality

This powerful, full-spectrum light source is intended for full-term plant growth - from the vegetative stages to higher-light-requiring bloom and finishing stages.